

YAMAWA Version up Series

N+RS
N+RZ
R+V

Version up

Further evolutions of YAMAWA roll taps

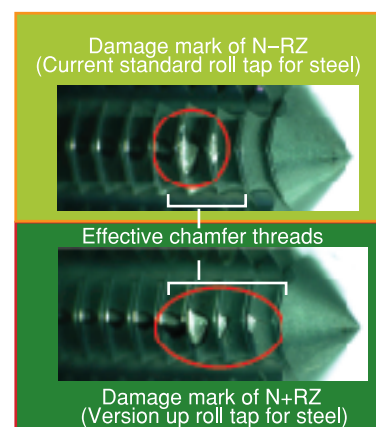
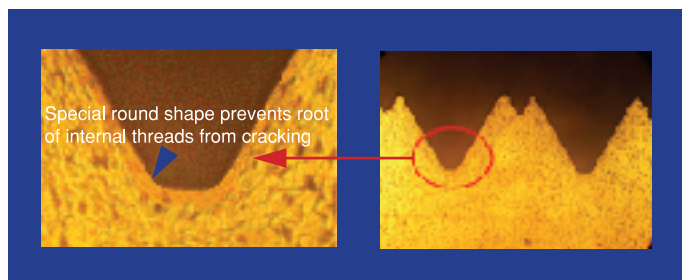


YAMAWA roll taps graded up to meet latest needs from the market:

In the process of small parts, tapping with forming taps is remarkably increasing. From the market, we have been receiving the request for the roll taps with longer tool life and higher performance. To meet with the request, we implemented VERSION UP on most popular size range of roll tap series in the market (N-RS, N-RZ and R-V, M3 up to M6).

The features of version up roll taps

- Due to the best design of chamfer portion, version up roll taps reduce processing load when forming. This special design can deform the work material smoothly and obtain longer tool life.
- Thread crest is designed in round shape. This shape prevents root of internal threads from cracking, and increases the strength of internal threads.
- Neck design type is adopted in tap blank.
- Specially designed tap blank can minimize run-out of tap. Also it enables high speed and high-precision tapping.

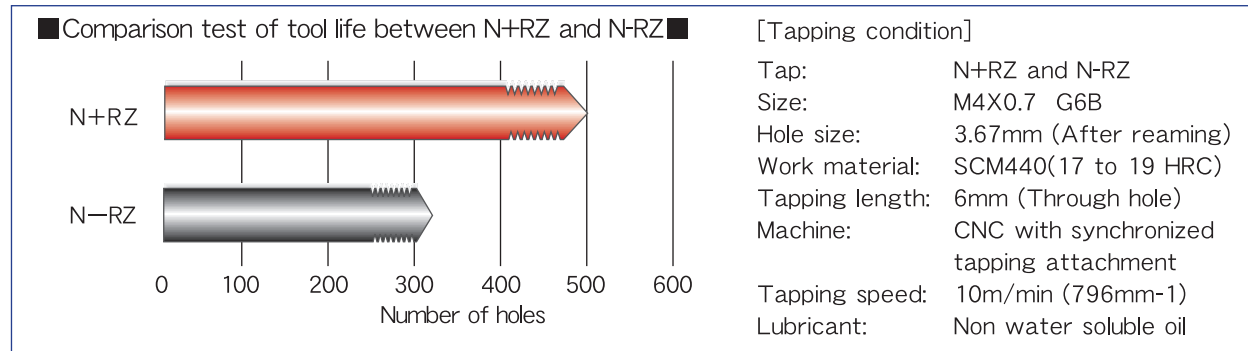


Effective chamfer threads of N+RZ are extended. They influence the reduction of processing load when forming

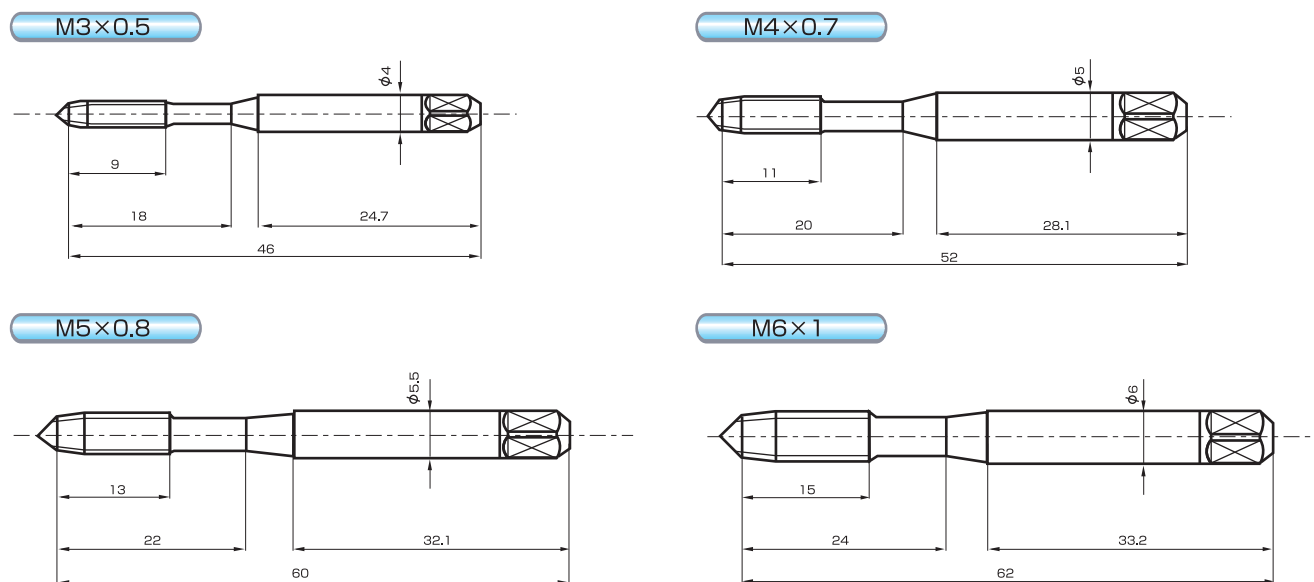
Version Up Roll Taps

Feel the performance of version up roll taps!!
Improvement of your operating efficiency!!

Version up roll taps have various advanced geometries to enhance their performance. Picture shows the comparison result obtained from the test N+RZ and N-RZ in the following tapping condition. Comparison with N-RZ and N+RZ has shown more than 50% longer tool life.



Tap figures



JQA-EM3465